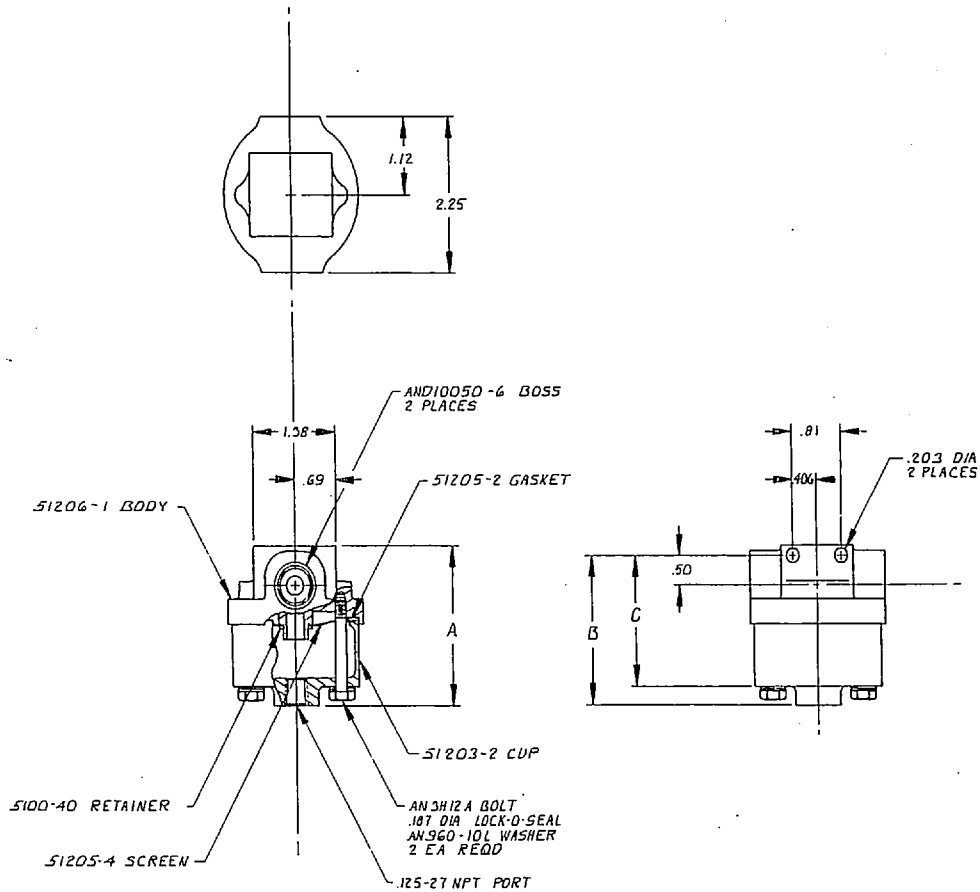


NOTES:

1. FILTER SCREEN \_\_\_\_\_ 140 MICRON
2. FLUID \_\_\_\_\_ AVIATION FUEL
3. TEMPERATURES \_\_\_\_\_ -65°F TO 160°F
4. OPERATING PRESSURE \_\_\_\_\_ 7 PSI
5. EXTERNAL LEAKAGE \_\_\_\_\_ 0
6. WEIGHT (APPROX) \_\_\_\_\_ 5 OZ

REVISIONS				
ZONE	LTR	DESCRIPTION	DATE	APPROVED
B		REVISED AND REDRAWN; DELETE - 1; ADD NOTES	1/1/61	<i>Zls</i>



- 2 GASCOLATOR ASSY

DIMENSIONS	
B	C
2.20	1.95

QTY	PART NUMBER	DESCRIPTION	MATERIAL	DATE SPEC	WEAT TREAT	FINISH
2	AN960-10L	WASHER				
2	AN312A	BOLT				
2	.187 DIA	LOCK-O-SEAL	LOD-001-10		PARKER	
1	5100-40	RETAINER			TRUARC	
1	51206-1	BODY				
1	51205-4	SCREEN				
1	51205-2	GASKET				
1	51203-2	CUP				
-	- 2	GASCOLATOR ASSY				

UNLESS OTHERWISE SPECIFIED, DRAWN *Zls* 8/1/61

ALL DIMENSIONS ARE IN INCHES

TOLERANCES

DIMENSIONS IN ANGLES : °

.187 ±.004

.004 ±.004 FRACTIONS :

✓ FURNISH PER MIL-STD-10

ALL DIMENSIONS MUST BE

CONSIDERED WITHIN ±.004

APPROVED

DATE 1/1/61

QTY NO. 51225

SCALE FULL WEIGHT

SHEET 1 OF 1