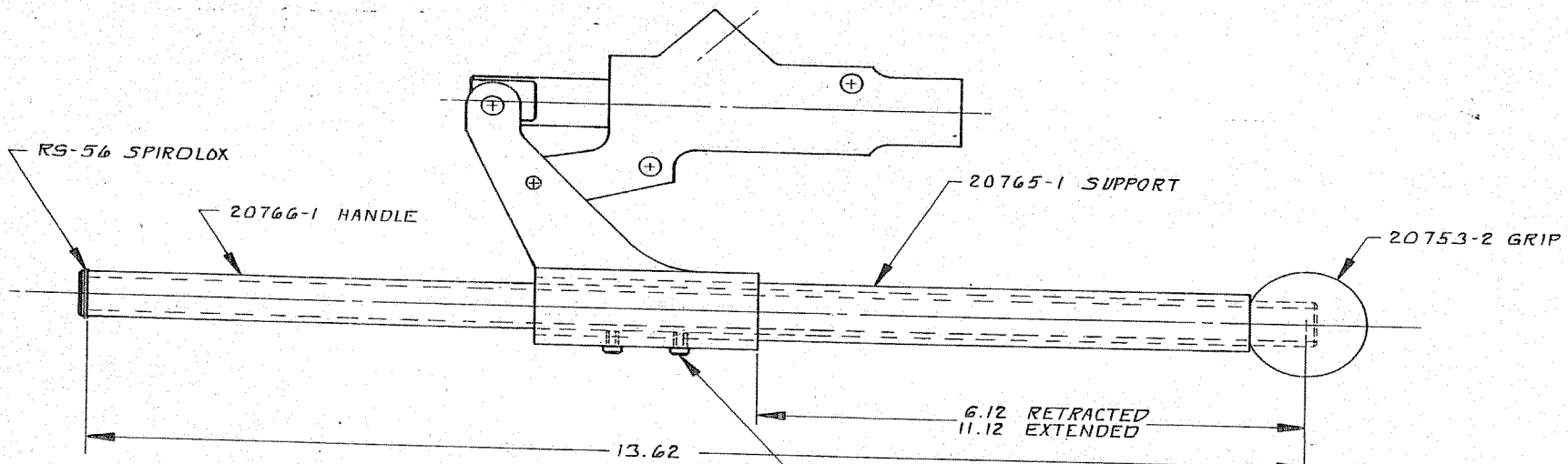


Hand Pump



-8 HAND PUMP ASSY
SAME AS -4 EXCEPT AS SHOWN

AN 500 AD 6-3 SCREW
MS 122028 WASHER
2 REQD

REQD	PART NUMBER	DESCRIPTION	MATERIAL	MATL SPEC	HEAT TREAT	FINISH
UNLESS OTHERWISE SPECIFIED						
DIMENSIONS ARE IN INCHES			DRAWN			
TOLERANCES			CHECKED			
DECIMALS	ANGLES ± °		ENGR			
.XX ± .010			1/14/82			
.XXX ± .005	FRACTIONS ±		APPROVED			
✓ FINISH PER MIL-STD-10			TITLE			
BREAK CORNERS .005/.010			HAND PUMP ASSY			
INTERNAL RADI .005/.015			SIZE			
ALL DIAMETERS MUST BE CONCENTRIC WITHIN .T.I.R.			C		DWG. NO.	REV.
DRILLED HOLE TOL. ± .005			C		20700	C
NEXT ASSY USED ON			SCALE		1/2" = 1"	WEIGHT
			SHEET		2 OF 2	