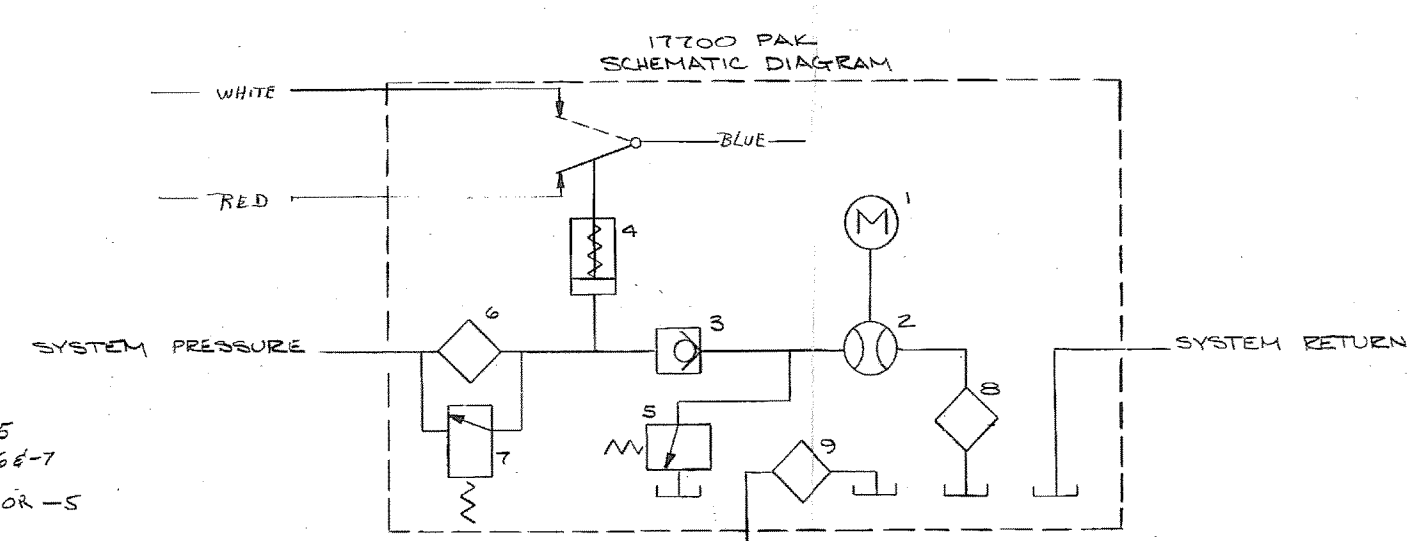
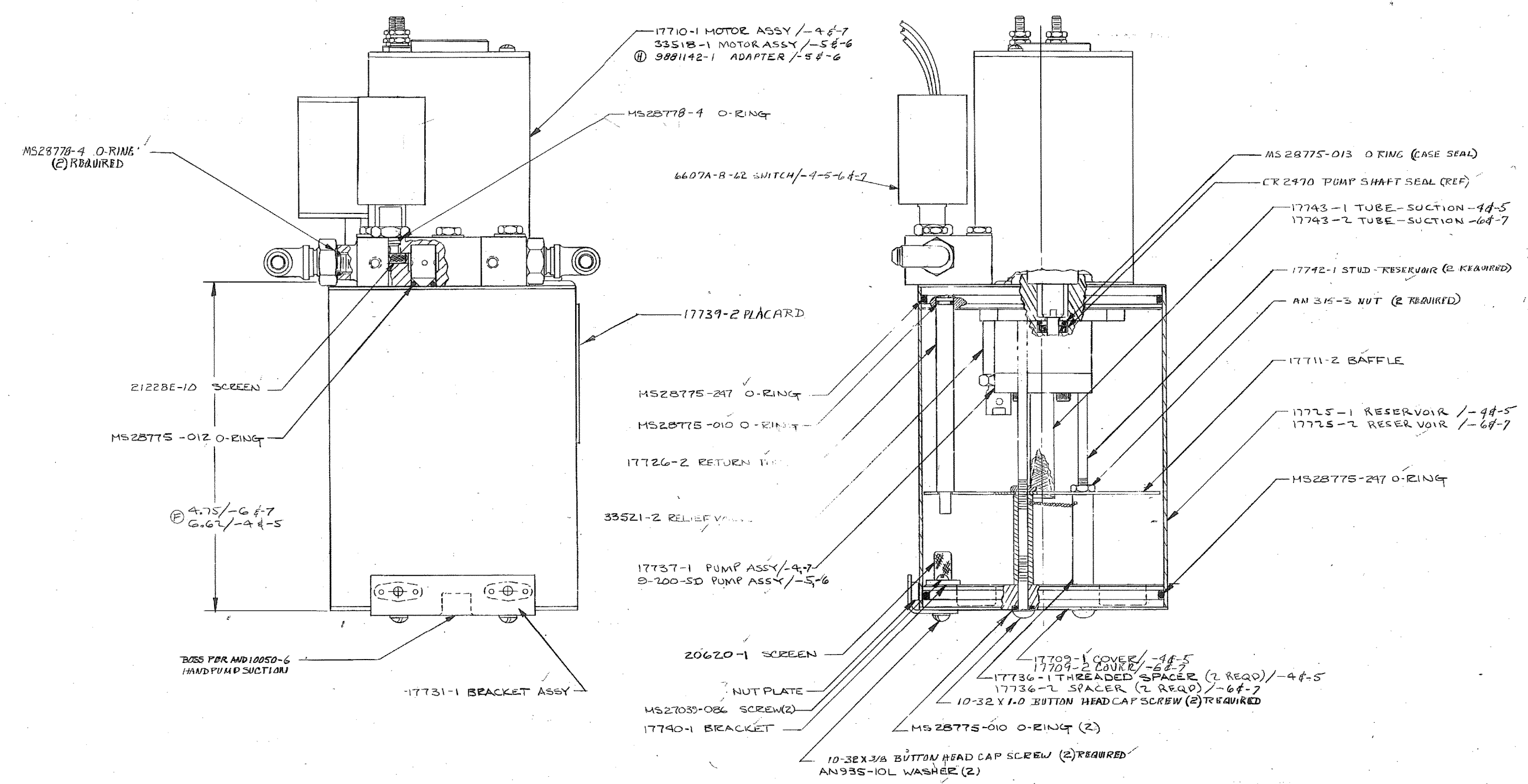
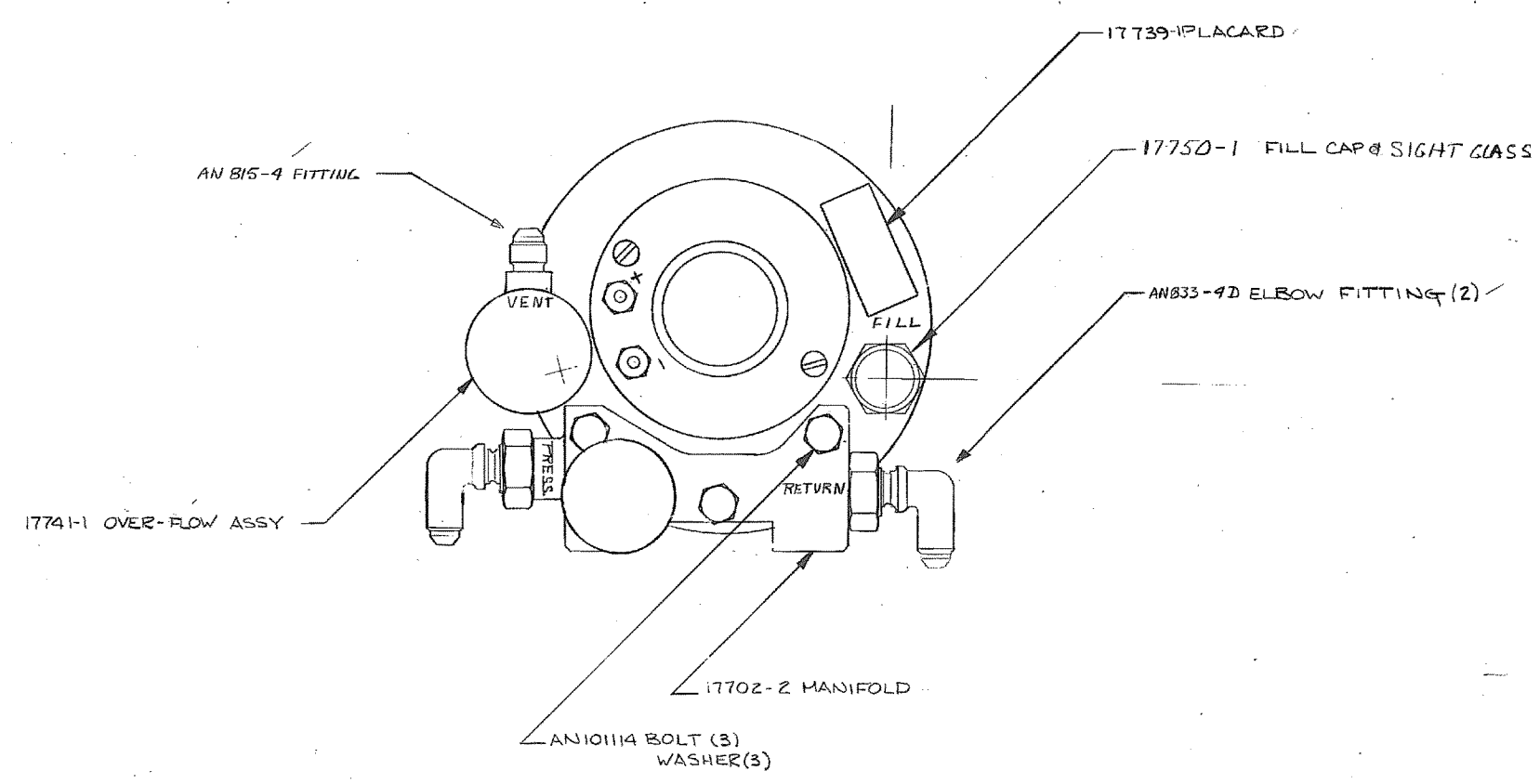


| REV | DATE      | DESCRIPTION                             | APPROVED |
|-----|-----------|---|----------|
| A   | 1-5-70    | REVISION 1                              |          |
| B   | 1-5-70    | ADDED SHEET 2                           |          |
| C   | JUNE 1981 | SHEET 1 DILATED, SHEET 2 IS NEW SHEET 1 |          |
| D   | 8-1-72    | ADDED MOTOR CURRENT                     |          |
| E   | 1-9-83    | ADDED -5 ASSY                           |          |
| F   | 5-11-83   | ADDED -6 ASSY                           |          |
| G   | 11-1-83   | ADD -7; -5 INACTIVE                     |          |
| H   | 7/7/87    | ADD 980142-1                            |          |
| J   | 1-2-88    | ADD -8 VDC ASSY                         |          |



- 17 RESERVOIR TOTAL VOLUME (GAS & FLUID) = 97 1/2 /-4-5
- 18 RESERVOIR TOTAL VOLUME (GAS & FLUID) = 69.5 IN<sup>3</sup> /-6-7
- 17 FLOW AT 28 VDC — 3.99 GPM AT 700 PSI, 3.49 GPM AT 1000 PSI, 2.85 GPM AT 1700 PSI
- 16 RESERVOIR VOLUME FULL INDICATION — 115 IN<sup>3</sup> ± 5% /-5
- 15 AMPRAGE AT 28 VOLTS WITH 1500 PSI LOAD — 2.0 AMP MAX /-4-7
- 14 AMPRAGE AT 12 VOLTS WITH 1500 PSI LOAD — 50 AMP MAX /-5-6
- 13 RESERVOIR EXPANSION VOLUME — 17.0 IN<sup>3</sup> ± 5%
- 12 RESERVOIR VOLUME FULL INDICATION — 93.0 IN<sup>3</sup> ± 5% /-4-5
- 11 PRIMARY RESERVOIR VOLUME — 43.5 IN<sup>3</sup> ± 5% /-4-5
- 10 SECONDARY RESERVOIR VOLUME — 36.5 IN<sup>3</sup> ± 5% /-4-5
- 9 FLUID — MIL-H-5606 OR MIL-H-83282
- 8 WEIGHT - DRY — 8"
- 7 PRESSURE SWITCH CLOSURE ON INCREASING PRESSURE — 1200 PSI
- 6 PRESSURE SWITCH OPENS ON INCREASING PRESSURE — 1500 PSI
- 5 SYSTEM RELIEF VALVE CRACKING — 1650 PSI
- 4 FLOW AT 28 VDC — 1.87 GPM @ 1500 PSI, 1.15 GPM @ 1000 PSI, 1.50 GPM @ 500 PSI FOR -4
- 3 BURST PRESSURE — 3000 PSI
- 2 PROOF PRESSURE — 2250 PSI
- 1 OPERATING PRESSURE — 1600 PSI

- 8 POWER PAK ASSY (SAME AS -4 EXCEPT AS NOTED)
- 4 POWER PAK ASSY
- 5 POWER PAK ASSY (SAME AS -4 EXCEPT AS SHOWN)
- 6 POWER PAK ASSY (SAME AS -4 EXCEPT AS SHOWN)
- 7 POWER PAK ASSY (SAME AS -4 EXCEPT AS SHOWN)

| REV | DATE   | DESCRIPTION                              | APPROVED |
|-----|--------|--|----------|
| 1   | 1-5-70 | ADAPTER                                  |          |
| 1   | 1-5-70 | COVER                                    |          |
| 1   | 1-5-70 | RELIEF VALVE                             |          |
| 1   | 1-5-70 | SCREEN                                   |          |
| 1   | 1-5-70 | MOTOR ASSY 28 V DC                       |          |
| 3   | 3-3-72 | O-RING                                   |          |
| 1   | 1-5-70 | NIPPLE                                   |          |
| 1   | 1-5-70 | MOTOR ASSY                               |          |
| 1   | 1-5-70 | PUMP ASSY OILDYNE                        |          |
| 1   | 1-5-70 | SUCTION TUBE                             |          |
| 1   | 1-5-70 | RESERVOIR                                |          |
| 2   | 2-2-72 | SPACE R                                  |          |
| 1   | 1-5-70 | ASSY                                     |          |
| 1   | 1-5-70 | FILL & SIGHT GLASS                       |          |
| 1   | 1-5-70 | SWITCH-PRESSURE                          |          |
| 2   | 2-2-72 | SCREEN                                   |          |
| 2   | 2-2-72 | BUTTON HEAD CAP SCREW FF-S-848 ASA B18.3 |          |
| 2   | 2-2-72 | NUT                                      |          |
| 1   | 1-5-70 | CHUCK VALVE RETURN                       |          |
| 3   | 3-3-72 | AN10114 BOLT                             |          |
| 2   | 2-2-72 | AN955-10L WASHER                         |          |
| 2   | 2-2-72 | SCREEN                                   |          |
| 2   | 2-2-72 | BUTTON HEAD CAP SCREW FF-S-848 ASA B18.3 |          |
| 1   | 1-5-70 | EXTRA-TOT CAPADIP STICK MOOLER CO.       |          |
| 1   | 1-5-70 | O-RING                                   |          |
| 3   | 3-3-72 | O-RING                                   |          |
| 2   | 2-2-72 | O-RING                                   |          |
| 1   | 1-5-70 | O-RING                                   |          |
| 1   | 1-5-70 | MOTOR 12VDC                              |          |
| 1   | 1-5-70 | SUCTION TUBE                             |          |
| 2   | 2-2-72 | STUD TRKS                                |          |
| 1   | 1-5-70 | OVER-FLOW ASSY                           |          |
| 1   | 1-5-70 | BRACKET                                  |          |
| 1   | 1-5-70 | PLACARD                                  |          |
| 2   | 2-2-72 | ELBOW FITTING                            |          |
| 1   | 1-5-70 | PUMP ASSY                                |          |
| 1   | 1-5-70 | THREADED SPACER                          |          |
| 1   | 1-5-70 | COUPLING                                 |          |
| 1   | 1-5-70 | NAME PLATE                               |          |
| 1   | 1-5-70 | PRESSURE SWITCH                          |          |
| 1   | 1-5-70 | BRACKET                                  |          |
| 1   | 1-5-70 | SCREEN/H.P.                              |          |
| 1   | 1-5-70 | COVER PLATE                              |          |
| 1   | 1-5-70 | RELIEF VALVE                             |          |
| 1   | 1-5-70 | TUBE RETURN                              |          |
| 1   | 1-5-70 | RESERVOIR                                |          |
| 1   | 1-5-70 | BAFFLE                                   |          |
| 1   | 1-5-70 | MANIFOLD                                 |          |
| 1   | 1-5-70 | BODY                                     |          |
| 1   | 1-5-70 | ASSY                                     |          |

| REV | DATE   | DESCRIPTION                              | APPROVED |
|-----|--------|--|----------|
| 1   | 1-5-70 | ADAPTER                                  |          |
| 1   | 1-5-70 | COVER                                    |          |
| 1   | 1-5-70 | RELIEF VALVE                             |          |
| 1   | 1-5-70 | SCREEN                                   |          |
| 1   | 1-5-70 | MOTOR ASSY 28 V DC                       |          |
| 3   | 3-3-72 | O-RING                                   |          |
| 1   | 1-5-70 | NIPPLE                                   |          |
| 1   | 1-5-70 | MOTOR ASSY                               |          |
| 1   | 1-5-70 | PUMP ASSY OILDYNE                        |          |
| 1   | 1-5-70 | SUCTION TUBE                             |          |
| 1   | 1-5-70 | RESERVOIR                                |          |
| 2   | 2-2-72 | SPACE R                                  |          |
| 1   | 1-5-70 | ASSY                                     |          |
| 1   | 1-5-70 | FILL & SIGHT GLASS                       |          |
| 1   | 1-5-70 | SWITCH-PRESSURE                          |          |
| 2   | 2-2-72 | SCREEN                                   |          |
| 2   | 2-2-72 | BUTTON HEAD CAP SCREW FF-S-848 ASA B18.3 |          |
| 2   | 2-2-72 | NUT                                      |          |
| 1   | 1-5-70 | CHUCK VALVE RETURN                       |          |
| 3   | 3-3-72 | AN10114 BOLT                             |          |
| 2   | 2-2-72 | AN955-10L WASHER                         |          |
| 2   | 2-2-72 | SCREEN                                   |          |
| 2   | 2-2-72 | BUTTON HEAD CAP SCREW FF-S-848 ASA B18.3 |          |
| 1   | 1-5-70 | EXTRA-TOT CAPADIP STICK MOOLER CO.       |          |
| 1   | 1-5-70 | O-RING                                   |          |
| 3   | 3-3-72 | O-RING                                   |          |
| 2   | 2-2-72 | O-RING                                   |          |
| 1   | 1-5-70 | O-RING                                   |          |
| 1   | 1-5-70 | MOTOR 12VDC                              |          |
| 1   | 1-5-70 | SUCTION TUBE                             |          |
| 2   | 2-2-72 | STUD TRKS                                |          |
| 1   | 1-5-70 | OVER-FLOW ASSY                           |          |
| 1   | 1-5-70 | BRACKET                                  |          |
| 1   | 1-5-70 | PLACARD                                  |          |
| 2   | 2-2-72 | ELBOW FITTING                            |          |
| 1   | 1-5-70 | PUMP ASSY                                |          |
| 1   | 1-5-70 | THREADED SPACER                          |          |
| 1   | 1-5-70 | COUPLING                                 |          |
| 1   | 1-5-70 | NAME PLATE                               |          |
| 1   | 1-5-70 | PRESSURE SWITCH                          |          |
| 1   | 1-5-70 | BRACKET                                  |          |
| 1   | 1-5-70 | SCREEN/H.P.                              |          |
| 1   | 1-5-70 | COVER PLATE                              |          |
| 1   | 1-5-70 | RELIEF VALVE                             |          |
| 1   | 1-5-70 | TUBE RETURN                              |          |
| 1   | 1-5-70 | RESERVOIR                                |          |
| 1   | 1-5-70 | BAFFLE                                   |          |
| 1   | 1-5-70 | MANIFOLD                                 |          |
| 1   | 1-5-70 | BODY                                     |          |
| 1   | 1-5-70 | ASSY                                     |          |

17700-4 PAK USED ON WHITE LIGHTING & PRES-COTT 28 V DC  
 17700-5 PAK USED ON WHITE LIGHTING & PRES-COTT 12 V DC  
 17700-6 PAK USED ON XL300 12 V DC  
 17700-7 PAK USED ON XL300 28 V DC  
 17700-8 PAK USED ON LASER 300 (OMAS) 28 V DC

1300