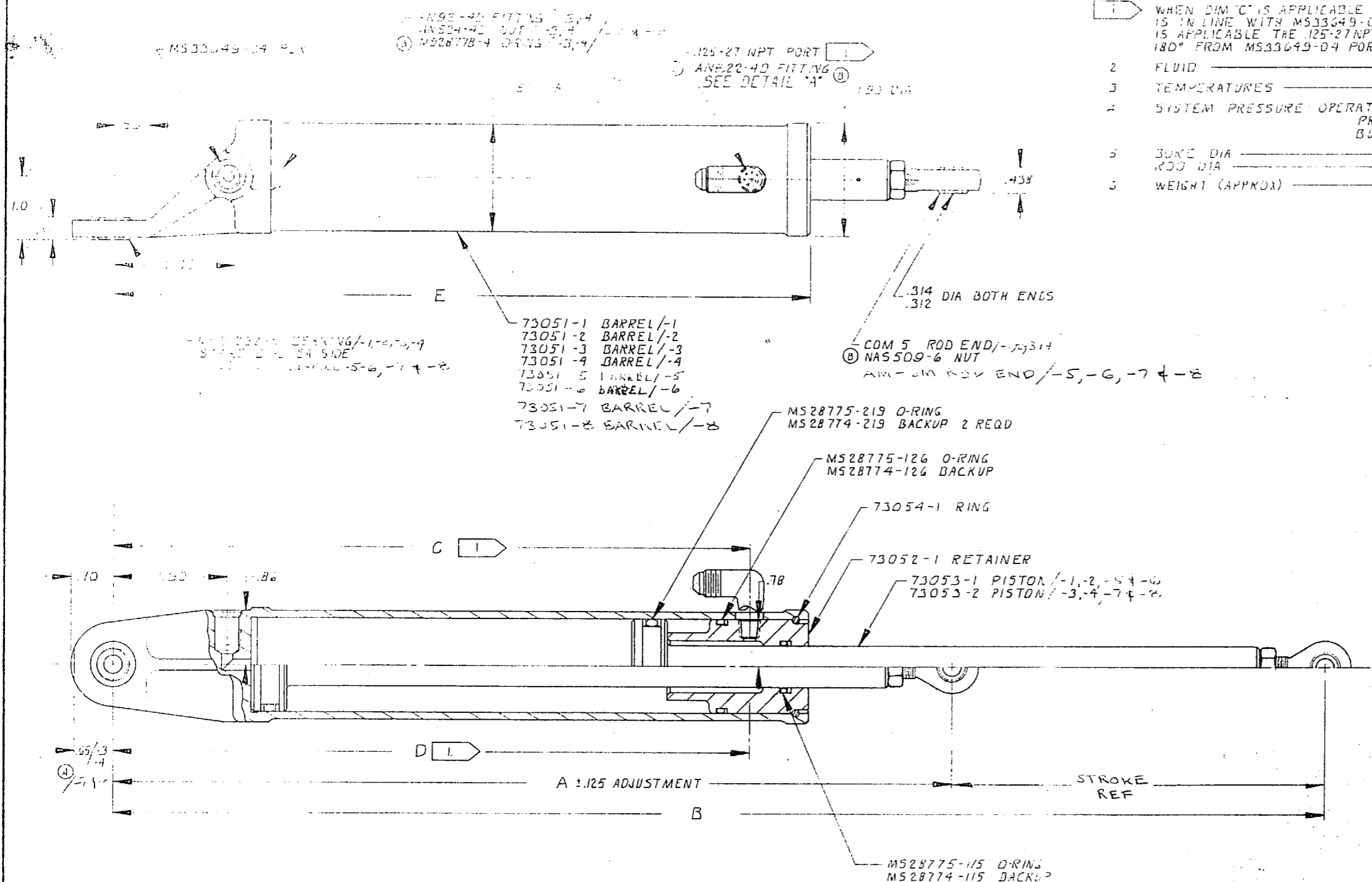


REVISIONS				
ZONE	LTN	DESCRIPTION	DATE	APPROVED
A		ADD .65/-31-4	4/22/97	
B		ADD DETAIL "A", AN922-4D; COM 5 WAS HMY-5G ADD NAS 509-6 AN921-4D AN924-4D MS28778-4	5-2-97	
C			1/25/97	
D			5/14/97	
E			5/14/97	

NOTES

- 1 WHEN DIM 'C' IS APPLICABLE THE 125-27 NPT PORT IS IN LINE WITH MS33649-04 PORT; WHEN DIM 'D' IS APPLICABLE THE 125-27 NPT PORT IS ROTATED 180° FROM MS33649-04 PORT.
- 2 FLUID MIL-H-5606
- 3 TEMPERATURES -65°F TO 160°F
- 4 SYSTEM PRESSURE OPERATING 1500 PSI
PROOF 2250 PSI
BURST 3750 PSI
- 5 BORE DIA 1.562
ROD DIA .687
- 6 WEIGHT (APPROX) 3.0 POUNDS

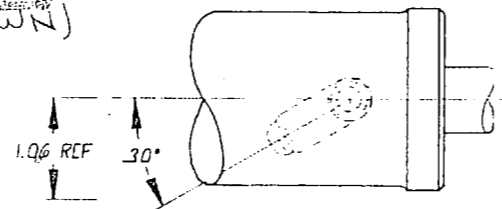


QTY	DESCRIPTION	UNIT	REVISION	DATE	APPROVED
1	NAS 509-6	NUT			
1	AN822-4D	FITTING			
1	MS28775-219	O-RING			
1	MS28775-126	O-RING			
1	MS28775-115	O-RING			
2	MS28774-219	BACKUP			
1	MS28774-126	BACKUP			
1	MS28774-115	BACKUP			
	MS21232-5	BEARING			
	COM 5	ROD END			HURORA
1	AN921-4D	FITTING			
	73054-1	RING			
1	AN924-4D	NUT			
1	MS28778-4	O-RING			
	AM-GM	ROD END			
1	73053-2	PISTON			
	73053-1	PISTON			
1	73052-1	RETAINER			
1	LH49E-6	BEARING			H-EM
1	73051-8	BARREL			
1	73051-7	BARREL			
	73051-6	BARREL			
	73051-5	BARREL			
	73051-4	BARREL			
	73051-3	BARREL			
	73051-2	BARREL			
1	73051-1	BARREL			
	-8	OPP-7			
	-7	ASSY			
	-6	ACTUATOR ASSY			
	-5	ACTUATOR ASSY			
	-4	ACTUATOR ASSY			
	-3	ACTUATOR ASSY			
	-2	ACTUATOR ASSY			
	-1	ACTUATOR ASSY			

DASH NO	A	B	C	D	E
-1	13.88	20.21	10.62		11.58
-3	12.738	18.253		9.81	10.77

- 1 ACTUATOR ASSY SHOWN
- 2 OPP-1
- 3 ACTUATOR ASSY
- 4 OPP-3

SX300
~~73050-5 ASSY (SHOWN)~~
~~73050-6 OPP-5~~
~~73050-7 ASSY (SHOWN)~~
 73050-8 OPP-7



DETAIL "A"
 -3 SHOWN
 -4 OPP-3
 -5
 -6

Actuator Assy

73050 Rev E

7	WL
5	SW
3	WL
1	