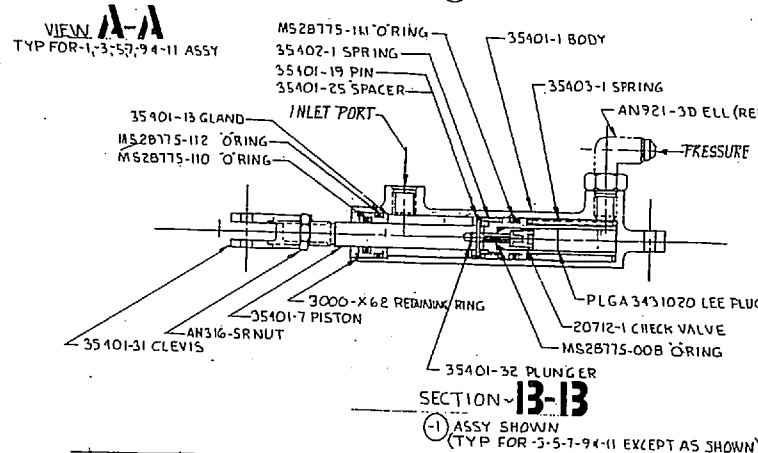
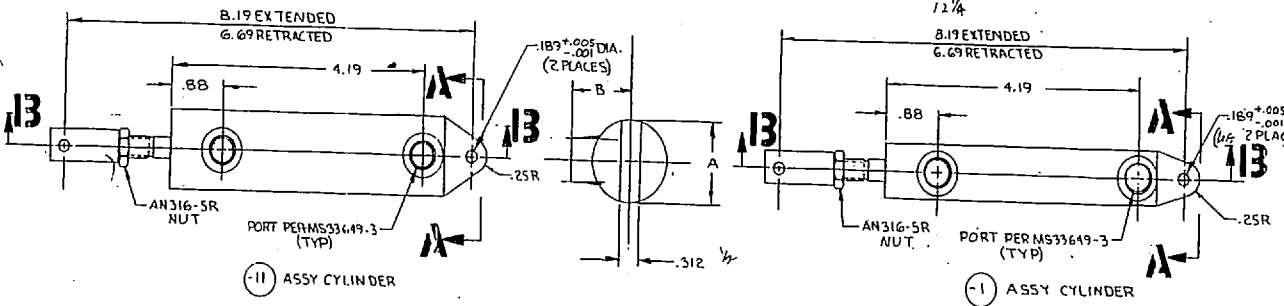


REVISIONS			
NO.	DATE	DESCRIPTION	BY
B	3-5-74	REVISED & REDRAWN	STANTON
C	7-11-85	ADDED - 3-5-74-11 ASSY	STANTON
		ABDCC - 12 ASSY	



ASSY	BORE	A	B	AERA	FORCE REDD @ 500 PSI	VOLUME AT FULL STROK
35400-1	.625	.870	.750	.306B	153"	.460 cu/in
35400-3	.750	1.000	.813	.441B	220"	.662 cu/in
35400-5	.812	1.057	.841	.5185	259"	.777 cu/in
35400-7	.875	1.120	.873	.6013	300"	.901 cu/in
35400-9	.937	1.182	.904	.6903	345"	1.035 cu/in
35400-11	1.000	1.245	.935	.7834	392"	1.178 cu/in
35400-12	.500	.870	.750	.196	98"	.299 cu/in

- ES:
- PRESSURE: OPERATING 1000 PSI, PROOF 1500 PSI, BURST 2250 PSI
  - TEMPERATURES: -65°F TO +160°F
  - FLUID: MIL-H-5606
  - BORE: .625 SHOWN

QTY	PART NUMBER	DESCRIPTION	MATERIAL	MAT SPEC	HEAT TREAT	FINISH
1	MS28775-00B	O'RING				
1	35401-1	SPRING	MUSIC WIRE			
1	AN316R	NUT				
1	35403-1	SPRING	MUSIC WIRE			
1	35402-1	SPRING	MUSIC WIRE			
1	35401-32	PLUNGER	ST. STL.			
1	PLGA343102D	LEE PLUG				
1	20712-1	CHECK VALVE				
1	35400	ASSY CYL				

QTY	PART NUMBER	DESCRIPTION	MATERIAL	MAT SPEC	HEAT TREAT	FINISH
1	3000-X62	RETAINING RING				
	X95					
	X67					
	Y81					
	-X75					
1	35401-35	SPACER				
1	35401-36	PIN				
1	35401-34	PISTON				
1	35401-33	RODV				
1	MS28775-00B	O'RING				
	-117					
	-116					
	-115					
	-114					
	-113					
	-112					
	-111					
1	MS28775-110	O'RING				
1	35401-31	CLEVIS	ALUM			
1	35401-30	SPACER	ALUM			
1	35401-29					
1	35401-28					
1	35401-27					
1	35401-26					
1	35401-25	SPACER	ALUM			
1	35401-24	PIN	ST. STL.			
1	35401-23					
1	35401-22					
1	35401-21					
1	35401-20					
1	35401-19	PIN	ST. STL.			
1	35401-18	GLAND	ALUM			
1	35401-17					
1	35401-16					
1	35401-15					
1	35401-14					
1	35401-13	GLAND	ALUM			
1	35401-12	PISTON	ST. STL.			
1	35401-11					
1	35401-10					
1	35401-9					
1	35401-8					
1	35401-7	PISTON	ST. STL.			
1	35401-6	BODY CYL	ALUM			
1	35401-5					
1	35401-4					
1	35401-3					
1	35401-2					
1	35401-1	BODY-CYL	ALUM			
1	35400	ASSY CYL				

DESIGN CHECKED: G.T. STANTON

DATE: 5/23/81

APPROVED: [Signature]

MASTER CYLINDER ASSY - BRAKE

35400

SCALE: FULL